

4

3

2

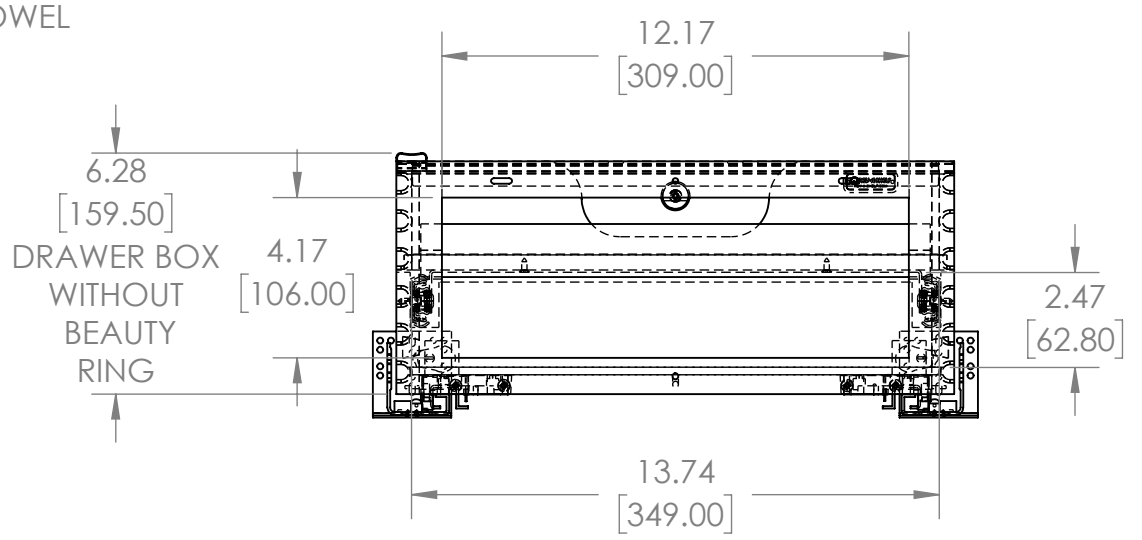
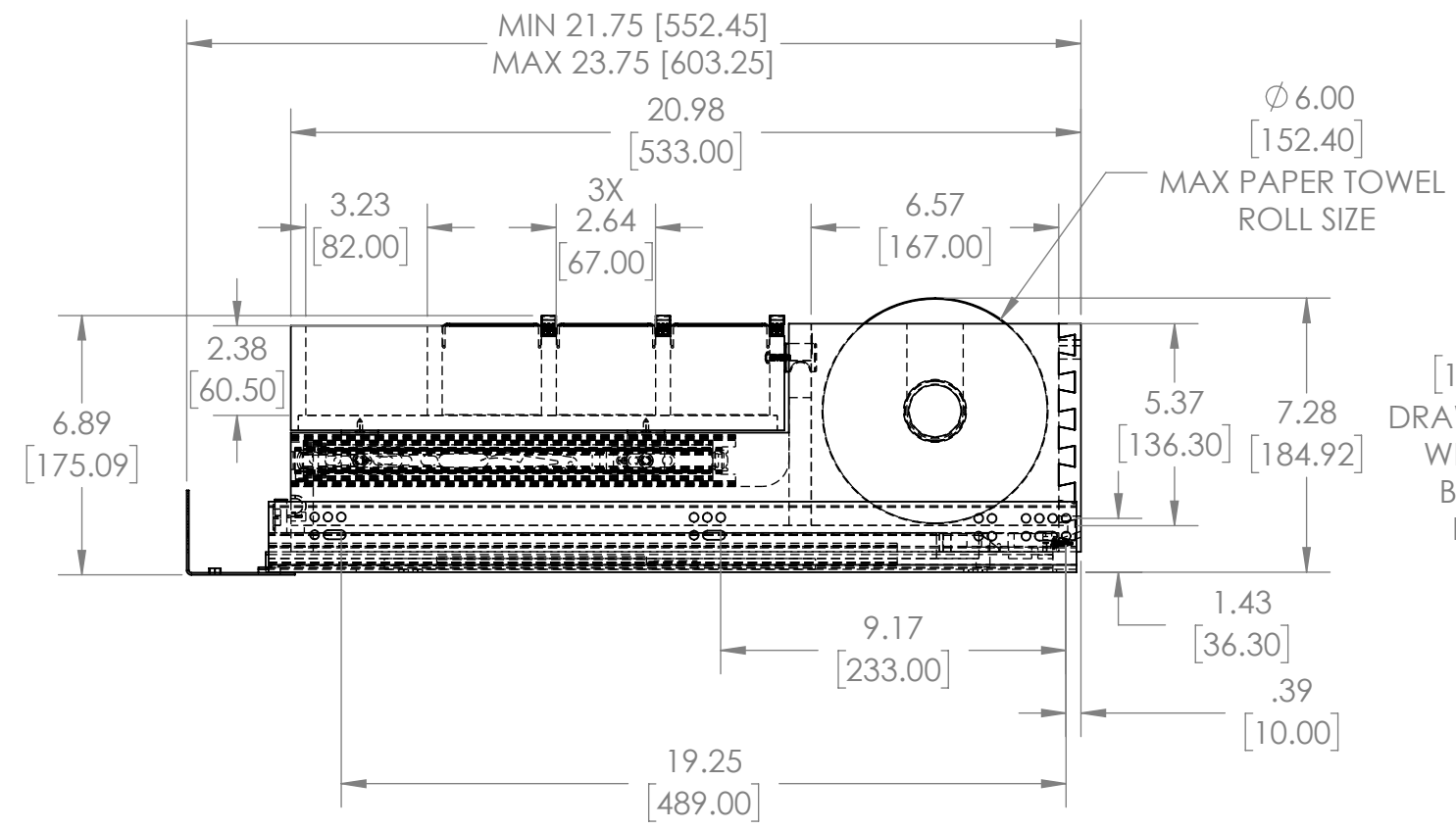
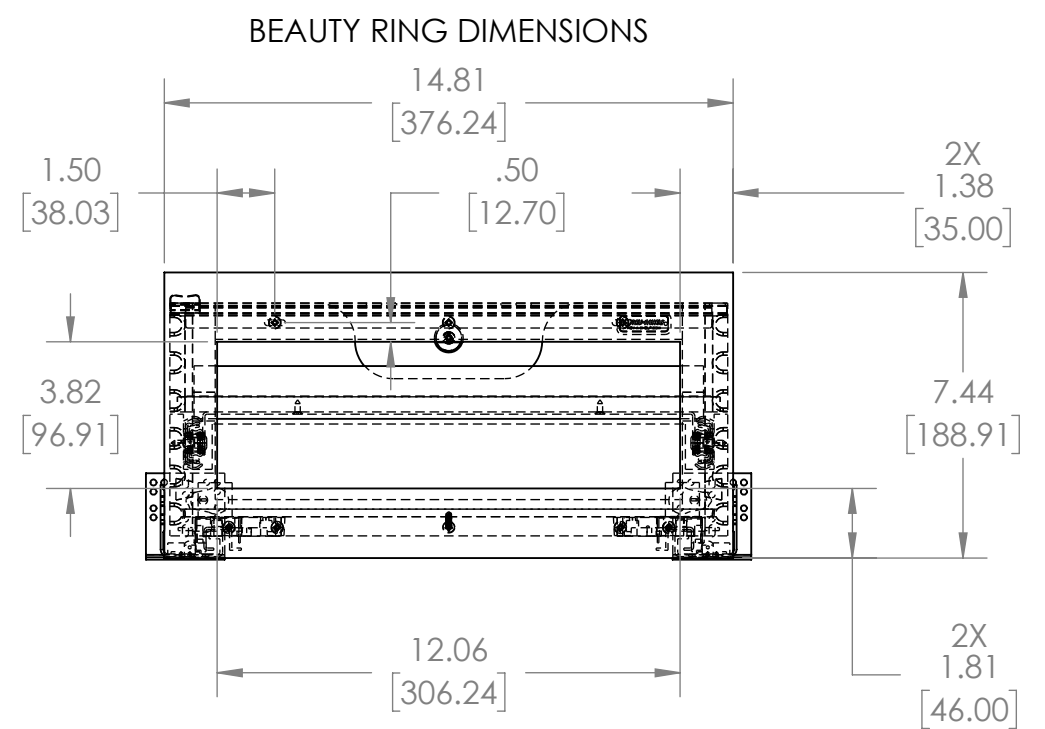
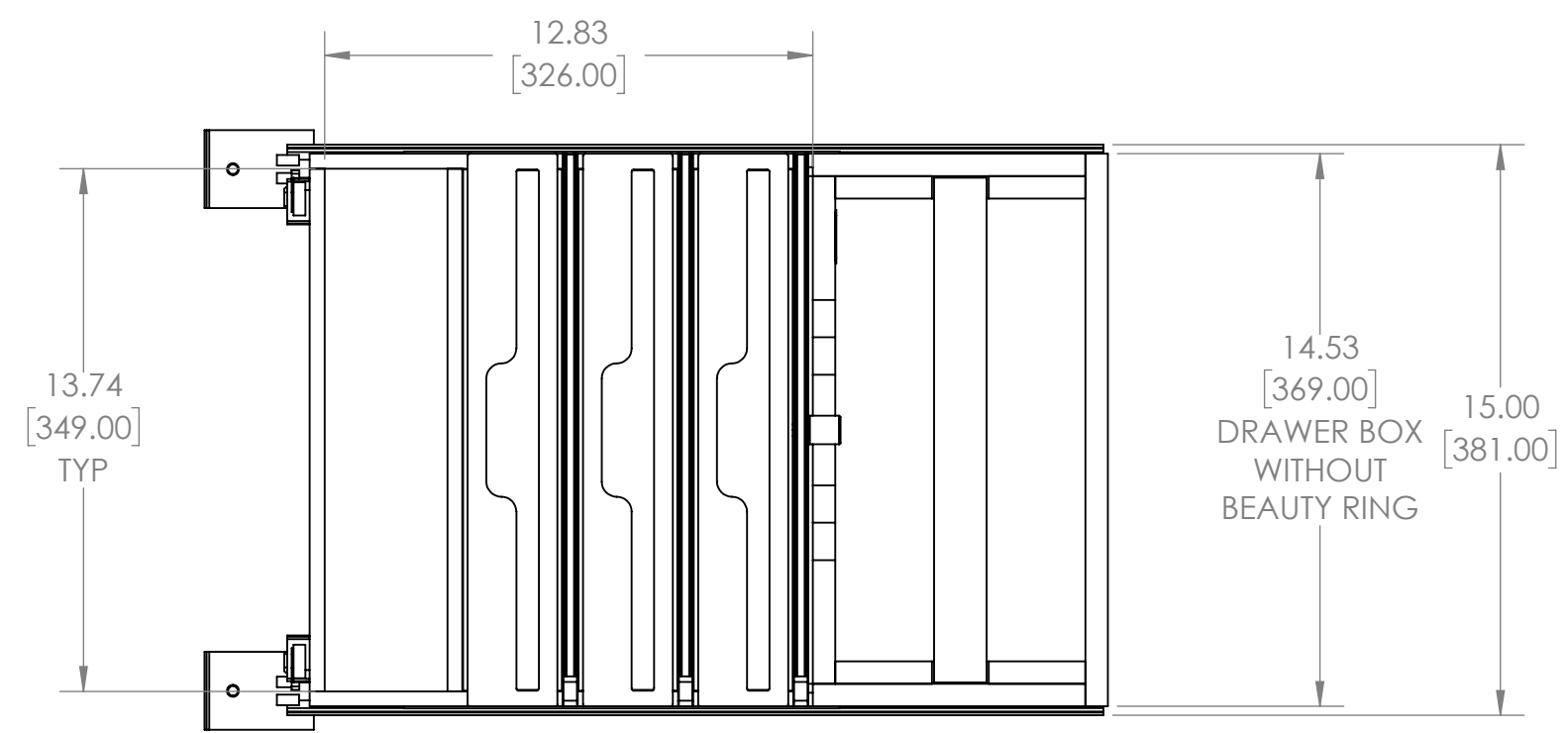
1

B

B

A

A



CUSTOMER DRAWING

UNCONTROLLED IF PRINTED



PROPRIETARY AND CONFIDENTIAL
 This drawing is the property of Rev-A-Shelf LLC (RAS) and is disclosed in confidence to the extent its subject matter is original to RAS. Any vendor receiving this drawing from RAS shall hold and use this drawing for the sole benefit of RAS and shall not disclose it to, or use or reproduce it for any third party, or perform any act adverse to the interest of RAS with respect to this drawing without the express written permission of RAS. Vendors shall not revise any physical, dimensional or performance characteristic unless authorized by Rev-A-Shelf Engineering.

REV	DATE	BY	DESCRIPTION OF CHANGE

UNLESS OTHERWISE SPECIFIED:			
TOLERANCES = INCH/(MM)			
MAT. DEC.			
(WOOD) .XX +/--.03 [.8mm]			
(OTHER) .XX +/--.02 [.5mm]			
(ALL) .XXX +/--.005 [.13 mm]			
FRACTIONS +/-1/32 [.8 mm]			
ANGLES +/-1/2°			
Third Angle Projection			
MATERIAL	FINISH		
DO NOT SCALE DRAWING	NAME	DATE	
DRAWN	JAB	9/11/24	

Description:			
B18 PAPER TOWEL TIERED DRAWER WITH SLIDES			
PART NO. 4PTTD-XX18HSC-1			
SIZE	DWG. NO.		
B	4PTTD-XX18HSC-1		
SCALE: 1:5	WEIGHT:	SHEET 1 OF 3	

4

3

2

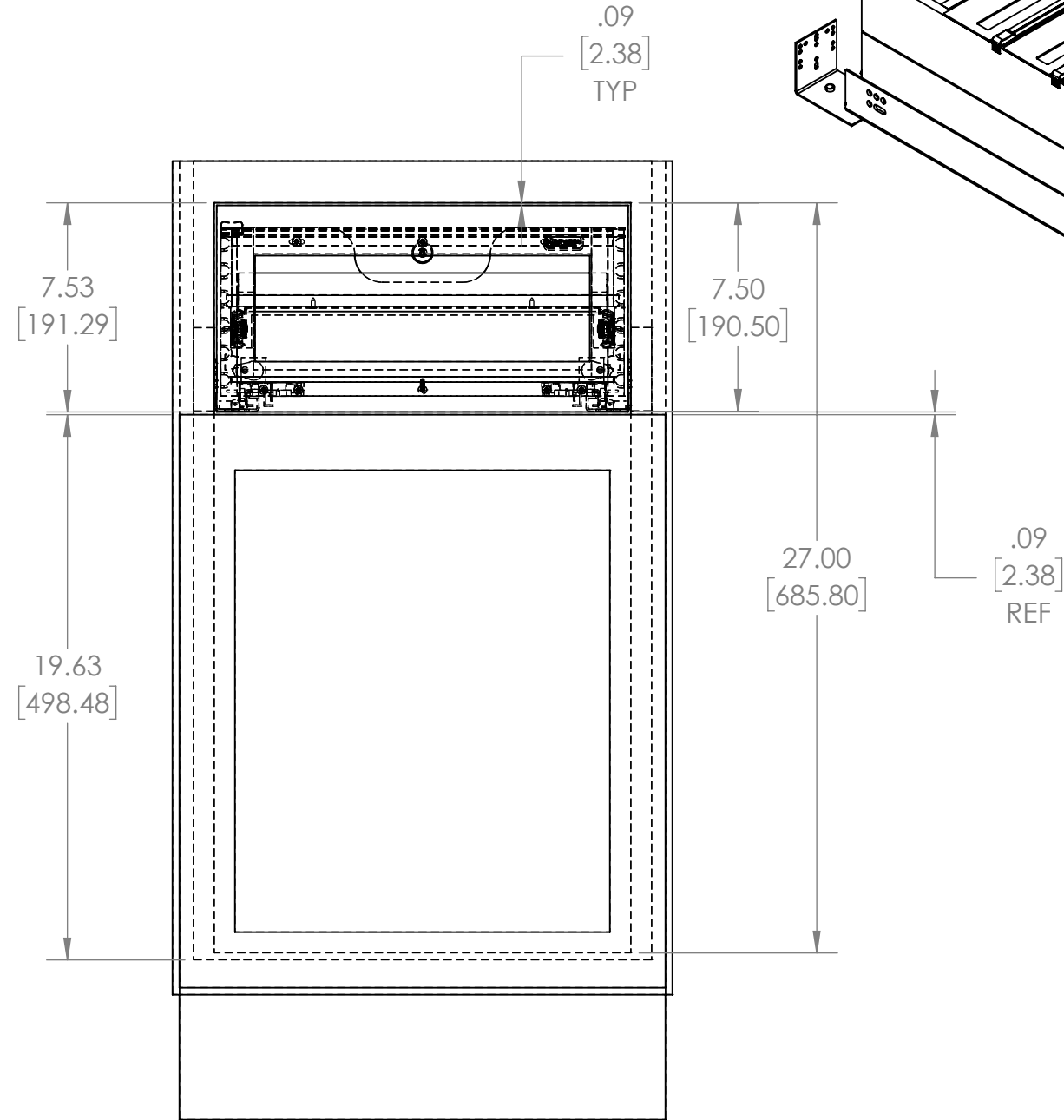
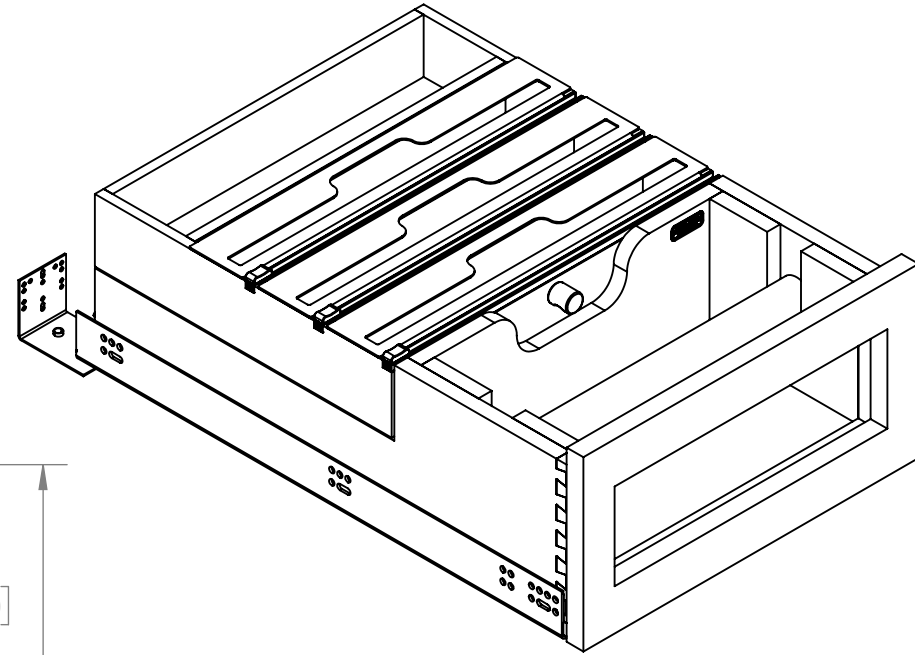
1

4

3

2

1



PART DIMENSIONS	
WIDTH	15.00
DEPTH	21.75
HEIGHT	6.89/7.44 W/ BEAUTY RING

MIN CABINET OPENING				
	FACE FRAME	FRAMELESS	INSET FACE FRAME	INSET FRAMELESS
WIDTH	15.00	15.00	15.00	15.00
DEPTH	21.75	21.75	22.50	22.50
HEIGHT	7.50	7.50	7.63	7.63

SLIDE SPECIFICATIONS				
SLIDE MANUFACTURER	BLUM			
SLIDE PART NO.	563H5330B	RELEASE PART NO.	T51-1801	
SLIDE TYPE	UNDERMOUNT	SLIDE EXTENSION	FULL	MAX WEIGHT RATING
SLIDE CLOSING	SOFT	SLIDE LENGTH	21.65 [550 MM]	
SLIDE MOUNTING	SIDE	SLIDE FINISH	ZINC	90 LB

CUSTOMER DRAWING



PROPRIETARY AND CONFIDENTIAL
 This drawing is the property of Rev-A-Shelf LLC (RAS) and is disclosed in confidence to the extent its subject matter is original to RAS. Any vendor receiving this drawing from RAS shall hold and use this drawing for the sole benefit of RAS and shall not disclose it to, or use or reproduce it for any third party, or perform any act adverse to the interest of RAS with respect to this drawing without the express written permission of RAS. Vendors shall not revise any physical, dimensional or performance characteristic unless authorized by Rev-A-Shelf Engineering.

UNCONTROLLED IF PRINTED

REV	DATE	BY	DESCRIPTION OF CHANGE

UNLESS OTHERWISE SPECIFIED:		Description:	
TOLERANCES = INCH/(MM) MAT. DEC. (WOOD) .XX +/--.03 [.8mm] (OTHER) .XX +/--.02 [.5mm] (ALL) .XXX +/--.005 [.13 mm] FRACTIONS +/-1/32 [.8 mm] ANGLES +/-1/2°		B18 PAPER TOWEL TIERED DRAWER WITH SLIDES	
First Angle Projection		PART NO. 4PTTD-XX18HSC-1	
MATERIAL	FINISH	SIZE B	DWG. NO. 4PTTD-XX18HSC-1
DO NOT SCALE DRAWING	NAME	DATE	SCALE: 1:6 WEIGHT: SHEET 2 OF 3
DRAWN	JAB	9/11/24	

4

3

2

1

B

B

A

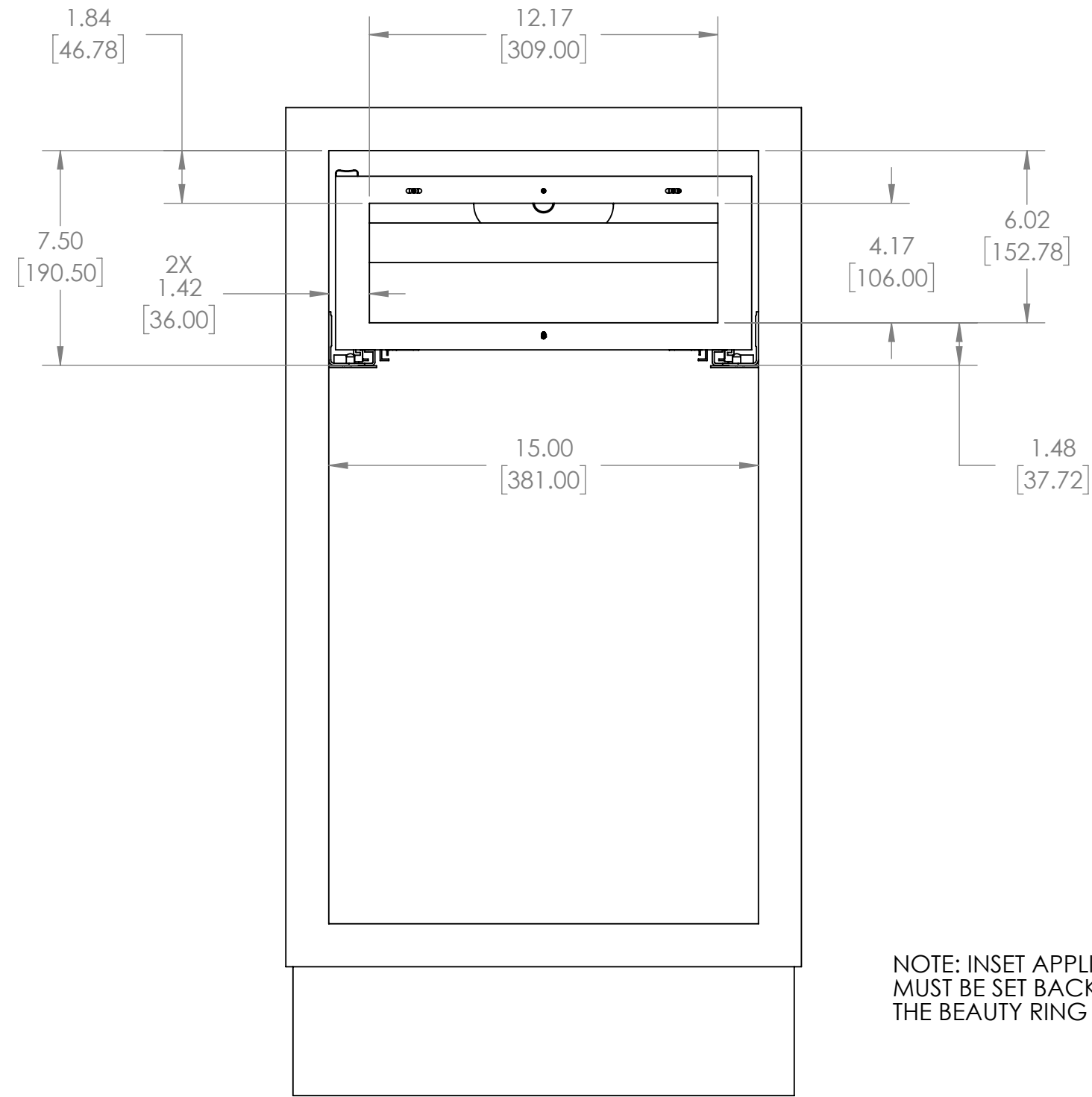
A

4

3

2

1



NOTE: INSET APPLICATIONS USING THE PROVIDED BEAUTY RING MUST BE SET BACK 3/4" FROM THE FRONT OF THE FACE FRAME. THE BEAUTY RING MAY BE USED AS A DRAWER FRONT TEMPLATE.

CUSTOMER DRAWING



PROPRIETARY AND CONFIDENTIAL
 This drawing is the property of Rev-A-Shelf LLC (RAS) and is disclosed in confidence to the extent its subject matter is original to RAS. Any vendor receiving this drawing from RAS shall hold and use this drawing for the sole benefit of RAS and shall not disclose it to, or use or reproduce it for any third party, or perform any act adverse to the interest of RAS with respect to this drawing without the express written permission of RAS. Vendors shall not revise any physical, dimensional or performance characteristic unless authorized by Rev-A-Shelf Engineering.

REV	DATE	BY	DESCRIPTION OF CHANGE

UNLESS OTHERWISE SPECIFIED:		Description:	
TOLERANCES = INCH/(MM) MAT. DEC. (WOOD) .XX +/- .03 [.8mm] (OTHER) .XX +/- .02 [.5mm] (ALL) .XXX +/- .005 [.13 mm] FRACTIONS +/- 1/32 [.8 mm] ANGLES +/- 1/2°		B18 PAPER TOWEL TIERED DRAWER WITH SLIDES	
First Angle Projection		PART NO. 4PTTD-XX18HSC-1	
MATERIAL	FINISH	SIZE	DWG. NO.
DO NOT SCALE DRAWING	NAME	DATE	4PTTD-XX18HSC-1
DRAWN	JAB	9/11/24	SCALE: 1:5 WEIGHT: SHEET 3 OF 3

UNCONTROLLED IF PRINTED

4

3

2

1

B

B

A

A