

# REV-A-SHELF®

Cabinet  
Conveniences®

Brand Storage System

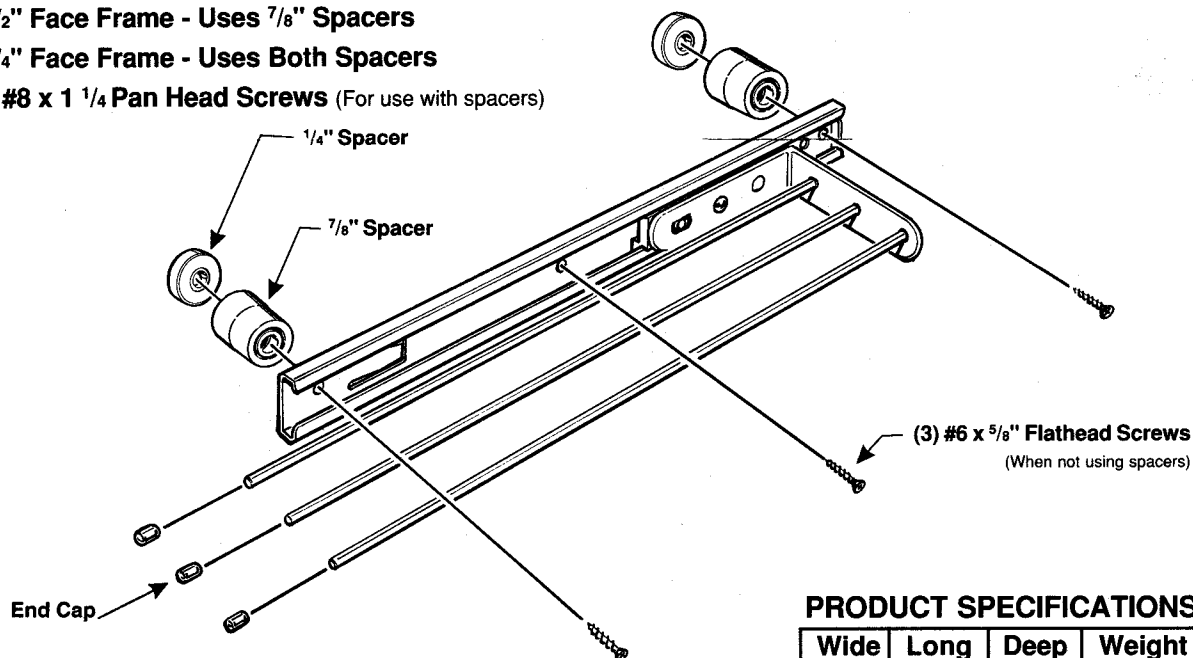
## Installation Instructions for PULL-OUT TOWEL BAR

Universal instructions for installation of Pull-Out Towel Bar (563 Series). This literature contains all information you need to install your Pull-Out Towel Bar (563 Series).

1 1/2" Face Frame - Uses 7/8" Spacers

1 3/4" Face Frame - Uses Both Spacers

(2) #8 x 1 1/4" Pan Head Screws (For use with spacers)



### PRODUCT SPECIFICATIONS

| Wide | Long    | Deep   | Weight |
|------|---------|--------|--------|
| 5"   | 17 3/4" | 1 1/4" | 2.0#   |

**IMPORTANT:** Before you begin, familiarize yourself with the kit contents, identify all parts, read through all instruction information and have the necessary tools on hand to get started.

**TOOLS REQUIRED:** #2 Phillips Screwdriver, Level, Tape Measure, and Pencil.

**CUSTOMER SERVICE:** Toll Free Consumer Help line for your product questions during the weekday business hours:

**800-626-1126**

### STANDARD INSTALLATION:

1. Press one end cap (hardware bag) on each of the three towel holder ends.
2. Determine inside wall of cabinet for installation and also determine a convenient height for your installation.
- 2a. For Framed Cabinets (or Cabinets with other obstructions) use the appropriate spacers to ensure towel rod has sufficient clearance when extended.
3. Now position towel holder with front of slide near front opening of cabinet (for best extension). Use a level and mark three (3) hole locations through towel holder slide.
4. Hold slide over marked hole locations and install towel holder with three Phillips head screws provided in hardware bag.