



CLOSET INSTALLATION INSTRUCTIONS

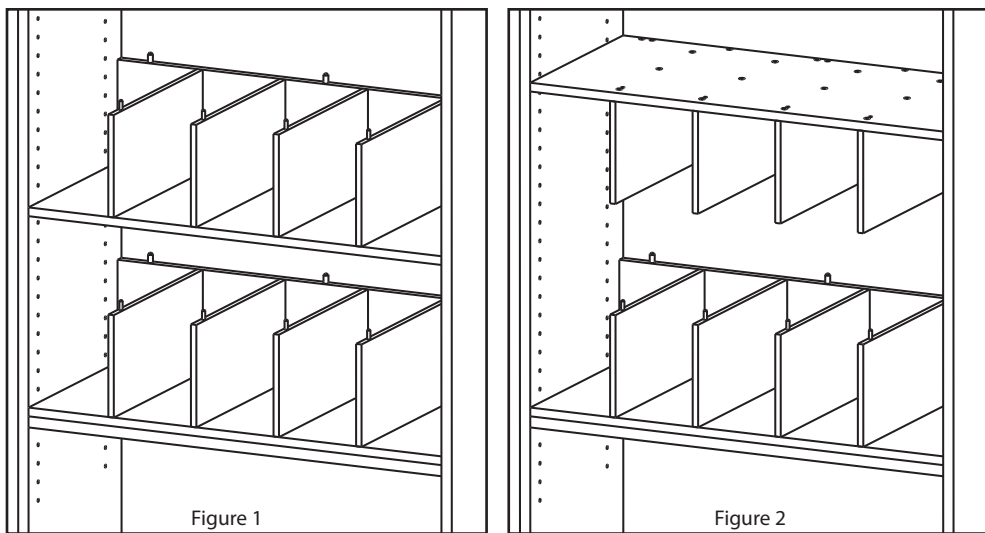


12400 Earl Jones Way, Louisville, KY 40299
(800) 626-1126 • rev-a-shelf.com

For more information about these products and many of our other innovative storage solutions, visit www.rev-a-shelf.com or call (800) 626-1126.

I-CLOSET

10/06



Wood Shoe and Purse Organizers

The wood shoe and purse organizers are designed to be used in closet systems with 24", 30" and 36" between partitions. They can be stacked in two manners, one allows for large openings suitable for purses, and boots. The other is suitable for shoes, and smaller items.

When stacking in either direction use the supplied dowel pins to align the organizer partitions both vertically, and horizontally. See Figures 1 and 2.

Another Great Closet Product By



The Pull-Out Ironing Board!
Rev-A-Shelf's unique Pull-Out Ironing Board can be retro fitted and folds away neatly into the space of a drawer. Simply open, unfold, and the board rises automatically with a locking device that keeps the board in place and even with the counter top.

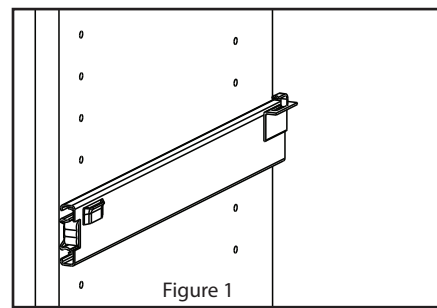
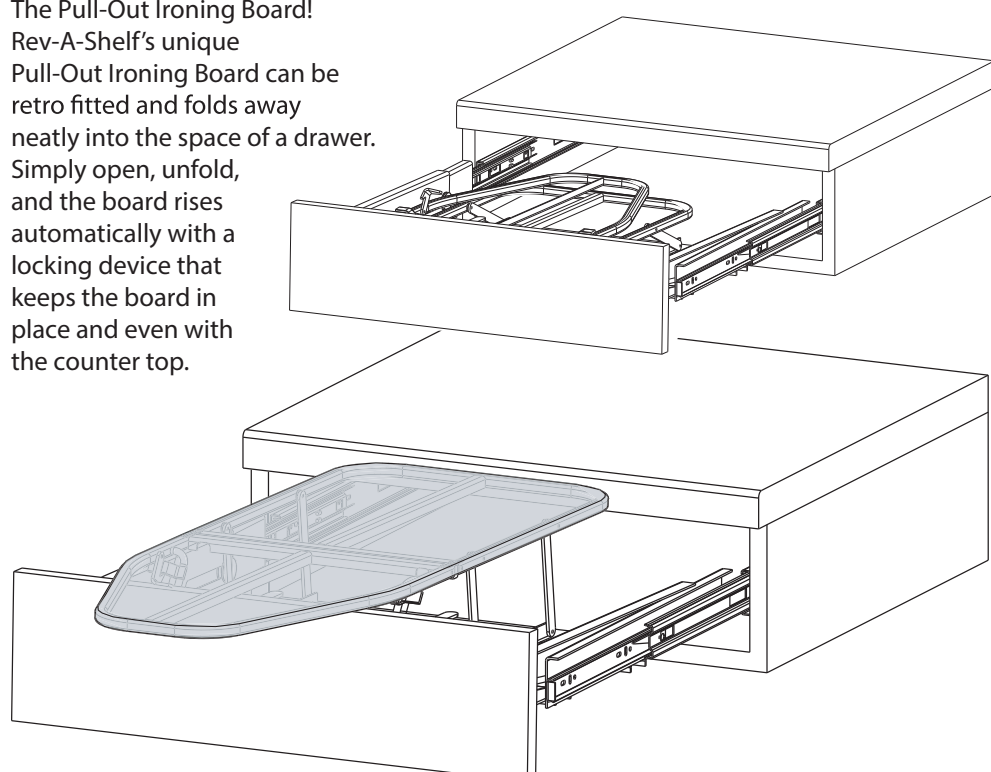


Figure 1

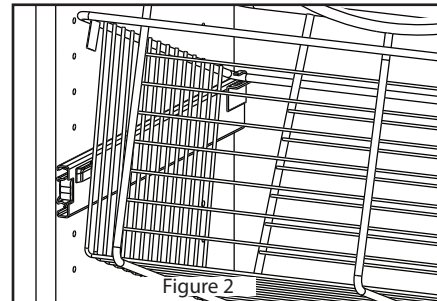


Figure 2

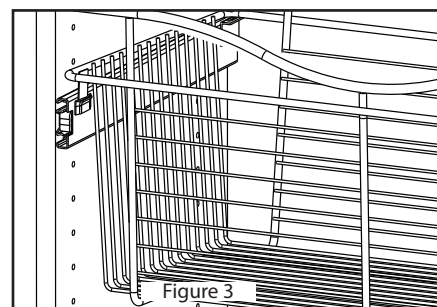


Figure 3

Closet Wire Baskets

1. Position ball bearing slide where desired in closet
2. Align front of slide with front of closet panel as shown in Figure 1. If the system holes align properly with holes in the slide, use Euro screws to attach the slide, if not, use #8 x 1/2" flat head screws.
3. Position and install other slide.
4. Place back wire of basket into hook on left and right slide as shown in Figure 2.
5. Pivot the basket down so that the tabs on the basket are inserted into the slots in the slides as shown in Figure 3.

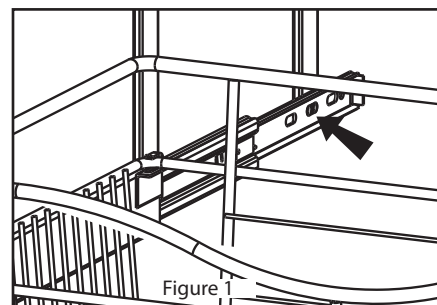
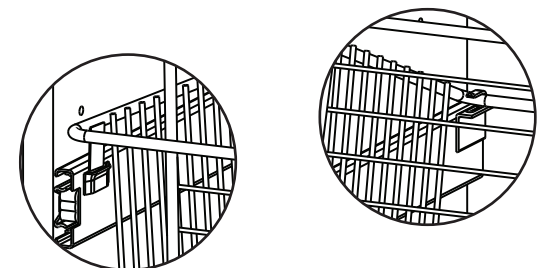


Figure 1

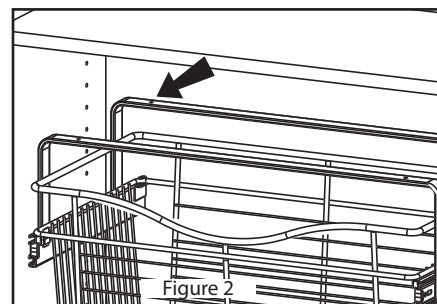


Figure 2

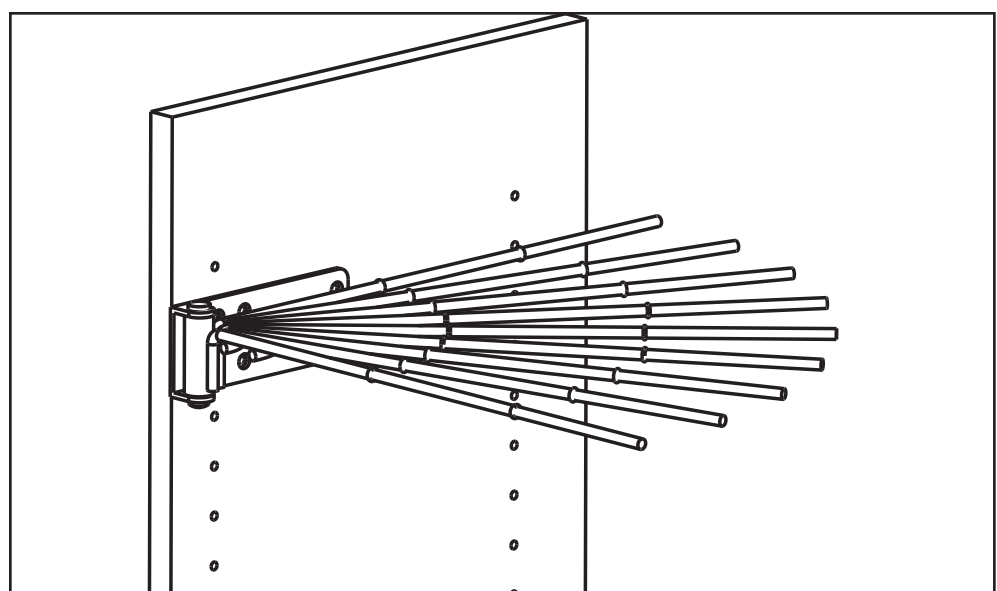
Top Mounting Bracket

Assembly

1. Align top mounting bracket with basket slides as shown in Figure 1. Attach using the 8 included flat head machine screws.

Installation

2. Position mounting bracket/slide assembly under fixed shelf as shown in Figure 2. Attach to the bottom side of the closet shelf using #8 x 1/2 screws.



Fan Pants Rack

1. Position Pants Rack where desired.
2. Use (2) Euro Screws to mount in closet system holes.
3. Complete installation by using #8 x 1/2" screws in remaining 4 holes.

Note: Mounting bracket may be reversed for right or left handed installation.

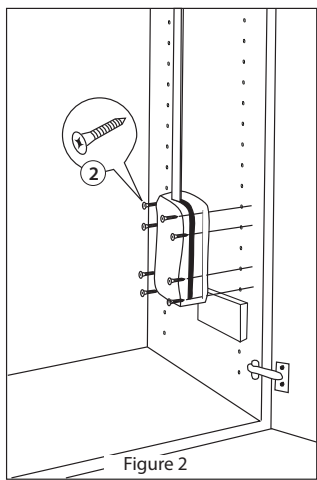


Figure 2

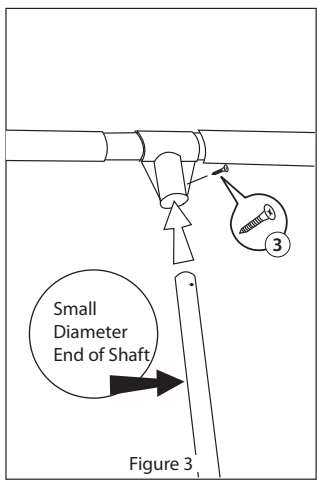


Figure 3

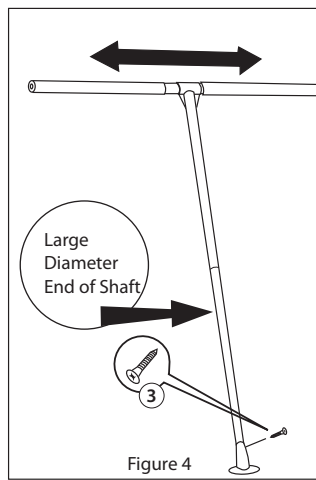


Figure 4

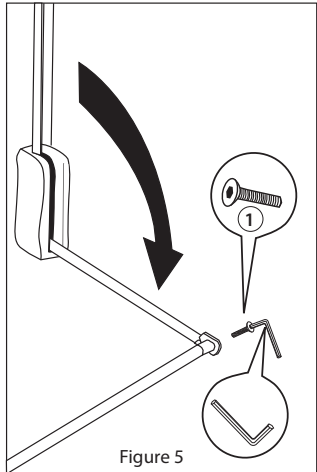


Figure 5

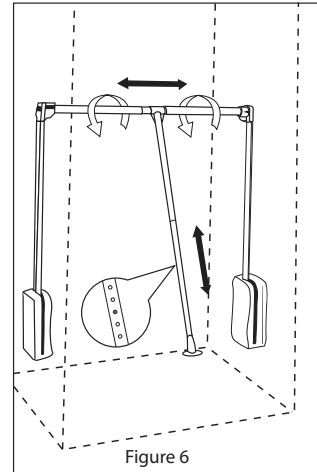
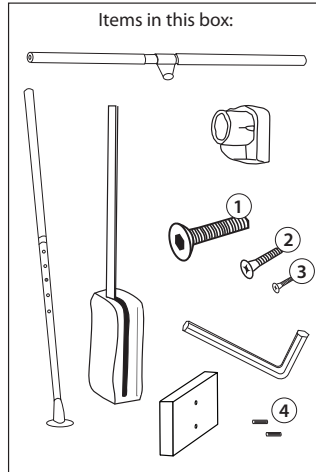


Figure 6



Items in this box:

Closet Rod Pulldown System

1. Insert the wooden dowels into the wooden positioner block.
2. Insert the positioner into the system holes at the desired height, immediately below where the Pulldown Mechanism is to be placed. Arm of Mechanism should be mounted no closer than 11" to the back of the cabinet.
3. Using the wooden guide for height, place the right side mechanism into position and insert a minimum of 8 screws (2), for best results use 12 screws (2). See Figure 2.
4. Repeat with Left Side.
5. Assemble hanging pole by using screw (3) as shown in Figure 3. Be sure that the push button adjustment mechanism is on the backside.
6. Attach handle using provided screw (3), as shown in Figure 4.
7. Pull down the arm of the unit and place the plastic bracket on the end of both arms. Insert the telescopic hanging rod into one side and secure with hex head bolt (1), see Figure 5. Twist as shown in Figure 6 to adjust hanging rod, attach the other side in the same manner.
8. Twist as shown in Figure 6 to adjust the length of the handle.

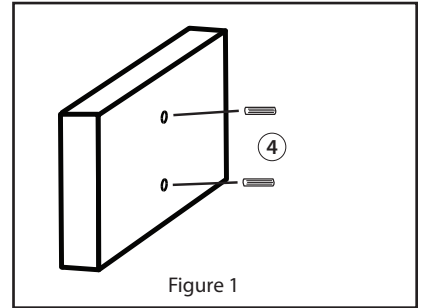


Figure 1

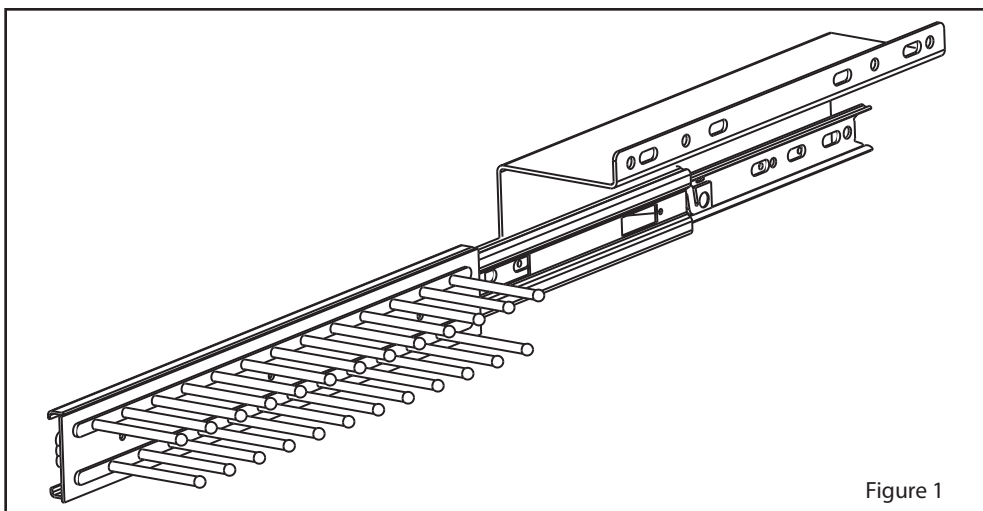


Figure 1

Reverse Mounting Bracket

1. Install tie or belt rack to the Reverse Mounting Bracket. Use the included M4 machine screws as shown in Figure 1.
2. Attach to closet panel. Use the included Euro screws if installing into system holes, otherwise use the #8 sheet metal screws.

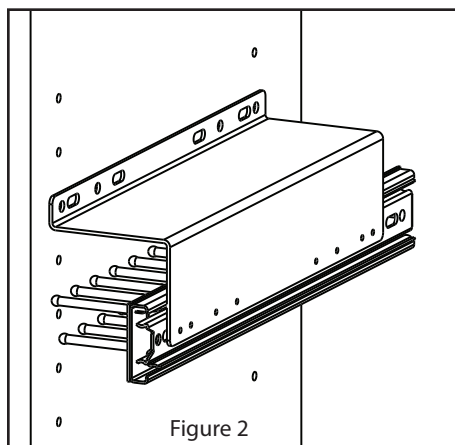
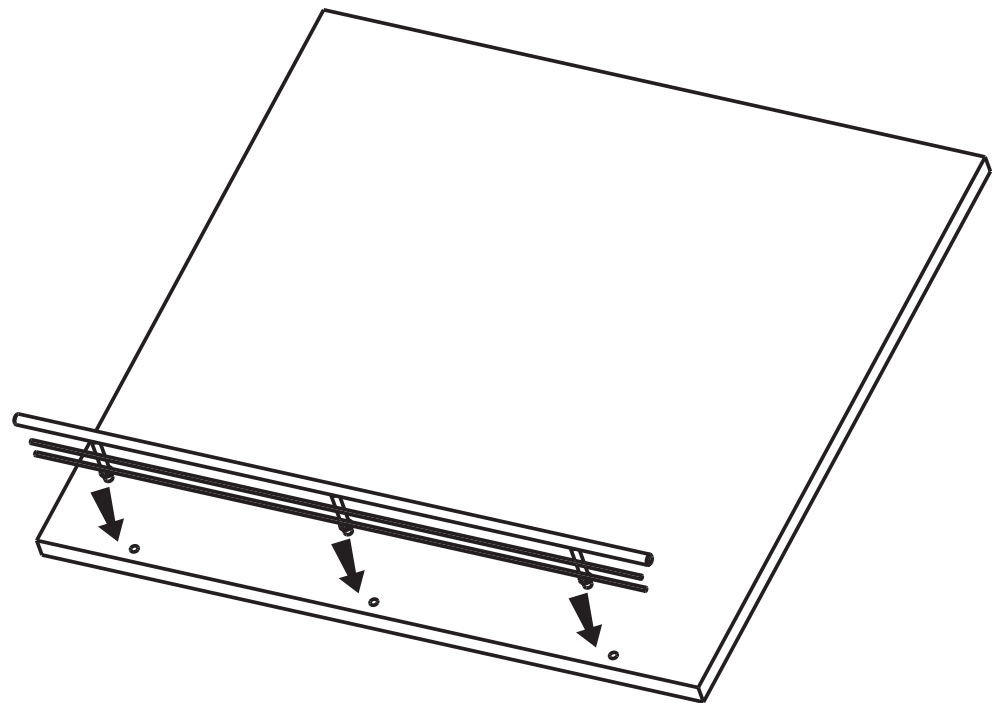


Figure 2



Chrome Wire Shoe Rail

1. The shelf requires 3 holes to be drilled. Hole diameter is 5mm" x 1/2" deep. Use the shoe rail as a template to mark exact hole placement.
2. Insert Wire Shoe Rail into shelf. See Figure 2.

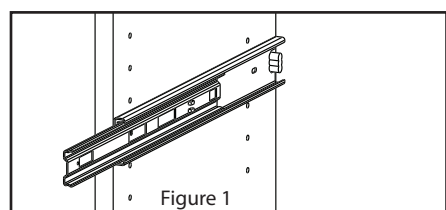


Figure 1

Wood Pants and Tie Rack

The wood pants and tie racks are designed to mount to the partitions in a closet system. They are 24" and 30" wide.

1. Determine and mark the mounting height of the rack. Making sure to arrive at least 6 1/2" BELOW the next highest shelf. The slide should be recessed slightly (~1/16") from the face of the partition.
2. Remove both slides from the product by pressing the release lever on the product member, and pulling away from the wood rack.

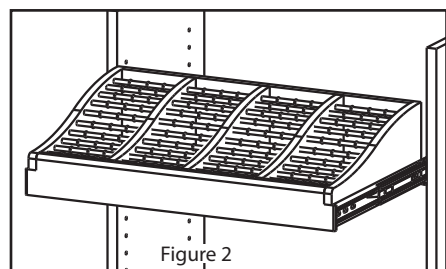
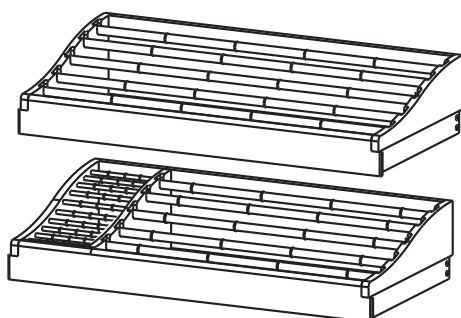
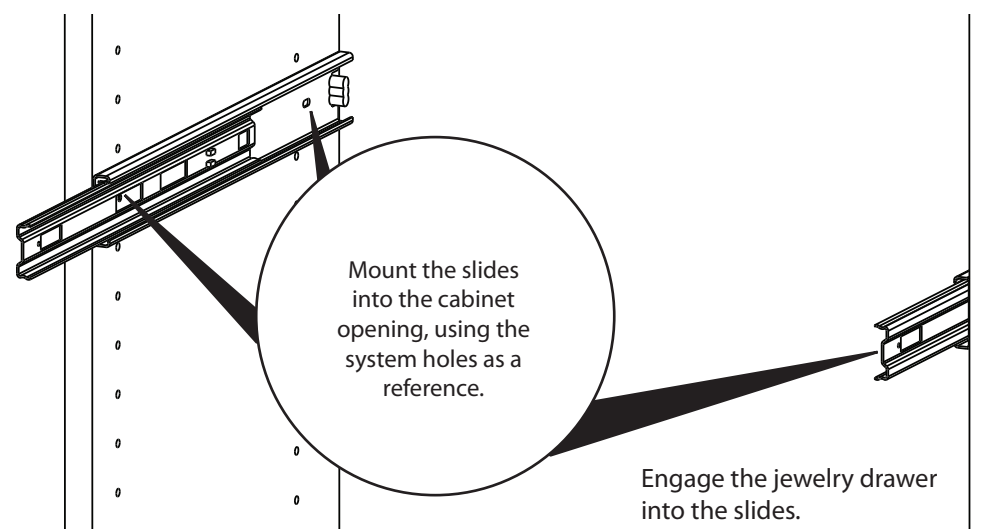


Figure 2

3. Using the marks made in Step 1, attach the cabinet member of the slide to the closet partition. If using system holes, use the Euro Screws provided in the hardware bag, otherwise use #8 x 1/2" screws. (See Figure 1)
4. Insert the pants and/or tie rack into slides, take care to align the slides on both sides at the same time.
5. Push the product completely closed, and then pull out completely to check operation. Installation is now complete. (See Figure 2)



Jewelry Drawer with Insert



Mount the slides into the cabinet opening, using the system holes as a reference.

Engage the jewelry drawer into the slides.

Push the product completely closed, and then pull out completely to check operation.

Place insert into the drawer.



Drawer front is attached using part JD-DMB-KIT (Sold Separately)