

## Medium-Duty

90 lb. Load Class

1/2" Side Clearance

Max. Drawer Width: 24"



## 8405 Over Travel Box or File Drawer Slide

The 8405 Over Travel Drawer Slide is designed to be used in wood cabinetry, furniture and casework. This industry workhorse has an unhandled design, traditional and 32mm hole patterns, and a push-in drawer release lever. These features make for quick installation and easy drawer removal.

### Applications

- Wood residential and commercial furniture
- Kitchen & Bath Cabinets
- Store Fixtures

### Specifications

**Model:** 8405 Over Travel Drawer Slide

**Mounting:** Side

**Disconnect:** Lever Release

**Hole Pattern:** 32mm and Traditional

**Face Frame Mounting:** Yes

**Type:** Ball-Bearing

**Travel:** Over Travel

**Finish:** Anochrome, Ebony Black, White

**Length:** 10", 12", 14", 16", 18", 20", 22", 24", 26", 28"

**Clearance:** .50" + .03"-0" on each side

**Height:** 1.79" [45.5mm]

**Packaging:** Bulk Pack (8405B): all sizes - 10 pair per carton

Poly Pack (8405P): all sizes - 10 pair per carton

Q Pack (8405Q): all sizes - 50 pair multiple carton

**Action:** Telescopic

**Slide Configuration:** Unhandled

### Rating

**Load:** 90 lb.

**Max. Drawer Width:** 24"

As with all Knap & Vogt drawer slides, the 8405 is designed to meet or exceed ANSI performance standards as established by BIFMA, BHMA and KCMA.

### Accessories

8401: Rear Mounting Bracket

8402: Rear Mounting Bracket

8404: Front Face Frame Bracket

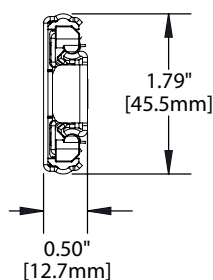
### Hardware

#7 x 1/2" Phillips Pan Head

### Warranty

Limited Lifetime Warranty

### Profile



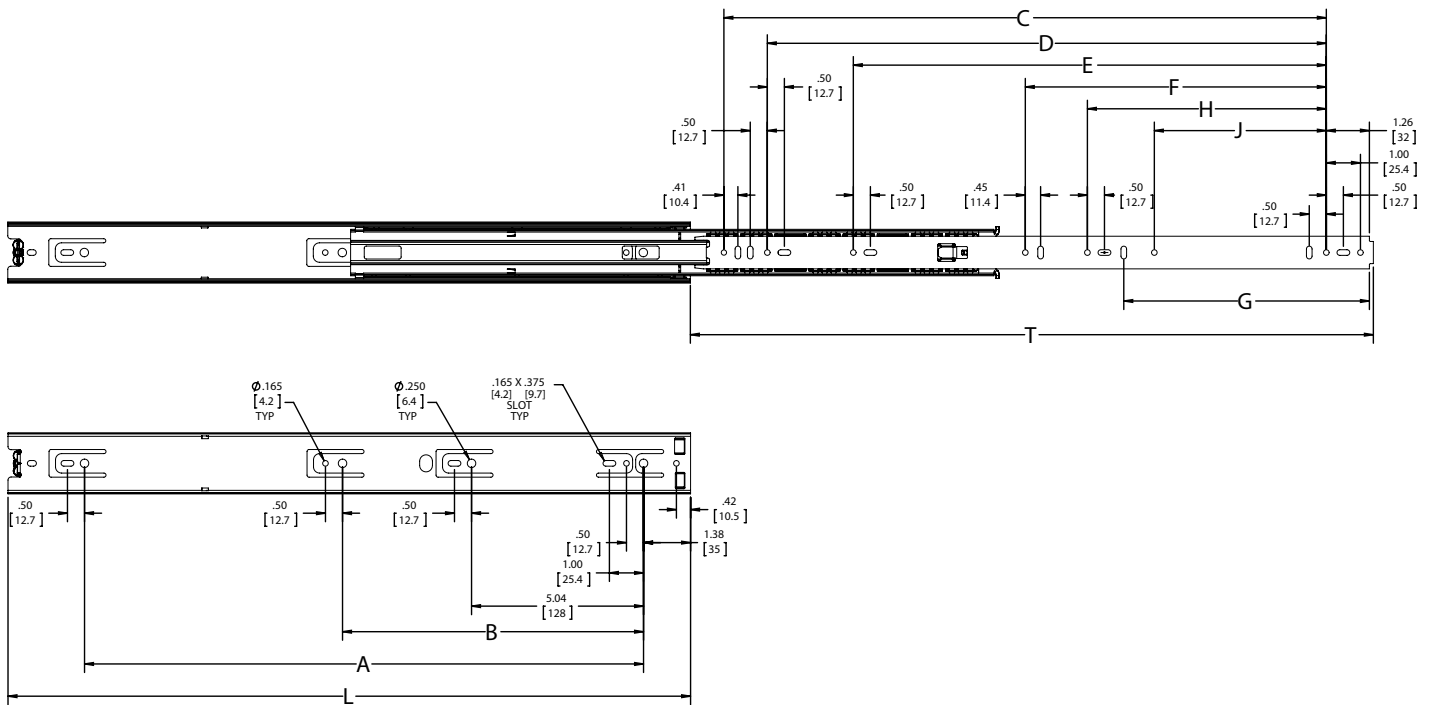
### Clearance

1/2" + 1/32"-0"

.50" + .03"- 0"

12.7mm + .8mm - 0mm

# Charted Information



SKU Number*	Slide Size inch/mm	Length inch/mm	Travel inch/mm	A inch/mm	B inch/mm	C inch/mm	D inch/mm	E inch/mm	F inch/mm	G Inch/mm	H Inch/mm	J Inch/mm
8400B 10	10" [254mm]	10" [254mm]	11" [279.4mm]	-	-	7.65" [194.3mm]	-	-	4.82" [122.4mm]	-	-	-
8400B 12	12" [304.8mm]	12.00" [304.8mm]	13" [330.2mm]	-	8.82" [224mm]	-	8.82" [224mm]	-	5.82" [147.8mm]	-	-	-
8400B 14	14" [355.6mm]	14.00" [355.6mm]	15" [381mm]	-	8.82" [224mm]	11.65" [296.9mm]	8.82" [224mm]	-	6.82" [173.2mm]	7.08" [179.8mm]	-	5.04" [128mm]
8400B 16	16" [406.4mm]	16.00" [406.4mm]	17" [431.8mm]	12.60" [320mm]	8.82" [224mm]	-	12.60" [320mm]	-	7.82" [198.6mm]	7.08" [179.8mm]	-	5.04" [128mm]
8400B 18	18" [454.2mm]	18.00" [454.2mm]	19" [482.6mm]	13.86" [352mm]	8.82" [224mm]	15.65" [397.5mm]	13.86" [352mm]	-	8.82" [224mm]	7.08" [179.8mm]	-	5.04" [128mm]
8400B 20	20" [508mm]	20.00" [508mm]	21" [533.4mm]	16.38" [416mm]	8.82" [224mm]	17.65" [448.3mm]	16.38" [416mm]	13.86" [352mm]	9.82" [249.4mm]	7.08" [179.8mm]	-	5.04" [128mm]
8400B 22	22" [558.8mm]	22.00" [558.8mm]	23" [584.2mm]	18.90" [480mm]	8.82" [224mm]	-	18.90" [480mm]	13.86" [352mm]	10.82" [274.8mm]	7.08" [179.8mm]	8.82" [225mm]	5.04" [128mm]
8400B 24	24" [609.6mm]	24.00" [609.6mm]	25" [635mm]	18.90" [480mm]	8.82" [224mm]	21.65" [549.9mm]	18.90" [480mm]	16.38" [416mm]	11.82" [300.2mm]	7.08" [179.8mm]	8.82" [225mm]	5.04" [128mm]
8400B 26	26" [660.4mm]	26" [660.4mm]	27" [685.8mm]	22.68" [576mm]	8.82" [224mm]	-	22.68" [576mm]	16.38" [416mm]	12.82" [325.6mm]	7.08" [179.8mm]	8.82" [225mm]	5.04" [128mm]
8400B 28	28" [711.2mm]	28" [711.2mm]	29" [736.6mm]	23.94" [608mm]	8.82" [224mm]	25.65" [651.5mm]	23.94" [608mm]	16.38" [416mm]	13.82" [351mm]	7.08" [179.8mm]	8.82" [225mm]	5.04" [128mm]

\*Also available in Poly Pack (eg, 8405P 10, etc.)

\*Also available in Q Pack (eg, 8405Q 10, etc.)



**KNAPE & VOGT**

2700 Oak Industrial Dr. NE  
Grand Rapids, MI 49505-6026 USA  
1.800.253.1561 | 616.459.3311  
Fax: 877.636.3290  
www.kv.com

This and other KV literature is available for download at [www.kv.com](http://www.kv.com) > Resource Library

Knap & Vogt reserves the right to change product specifications at any time without notice and without incurring responsibility for existing units.

©2015 Knap & Vogt. KV and the KV logo are trademarks of Knap & Vogt.

OL2807/0916