



The two parts must be ordered separately.

Technical Information

An innovative and unique space saving corner unit.

The shelves can be pulled-out independently, trays are designed to increase storage surface, height adjustable shaft, easy to install. The mechanism is a patented system and can be easily fixed in on one side of the cabinet, non slip melamine surface, for frame and frameless cabinets, load capacity 44 lbs (20kg) per shelf, minimum door opening 85°, height of the shelf rail 70 mm (2-3/4").

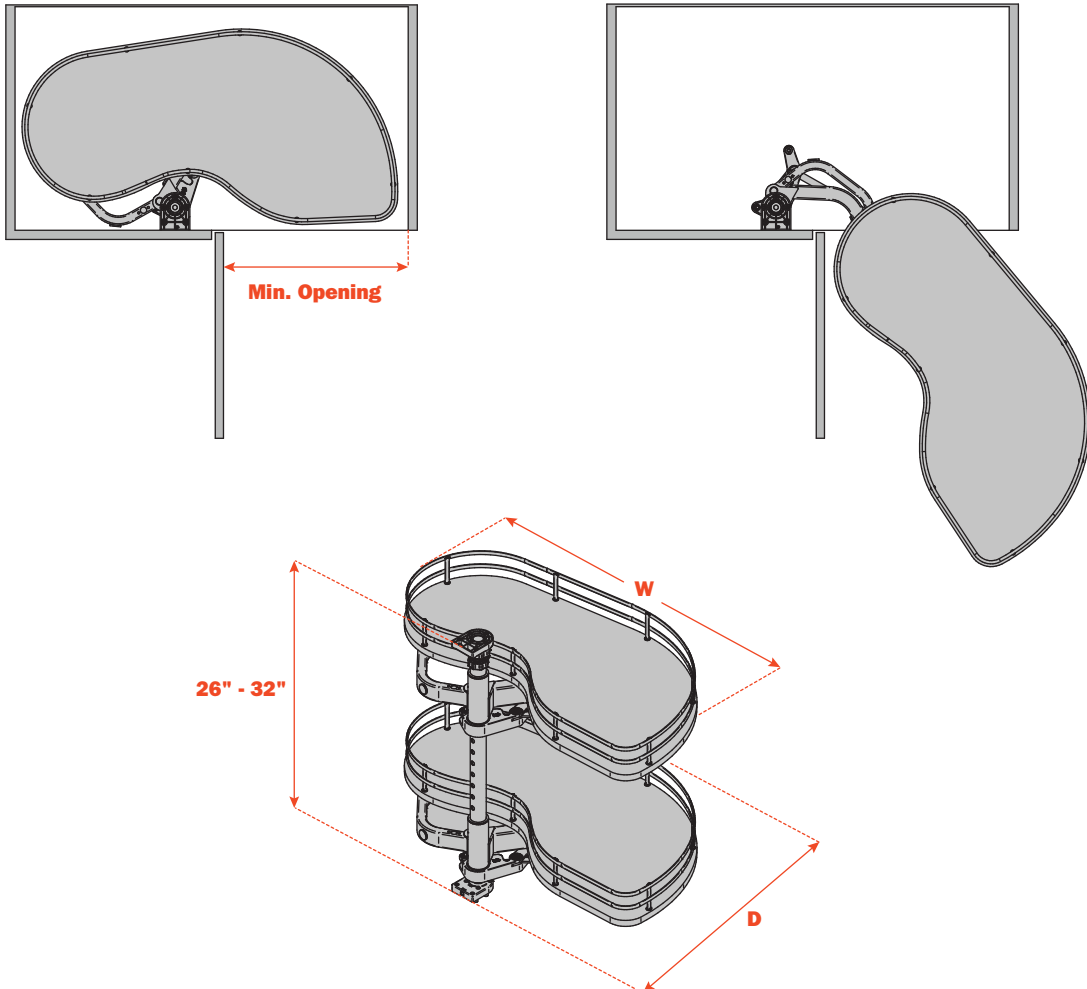
Shelf kit contents: 2 pull-out pivoting shelves; metal plates for connection; assembly instruction.

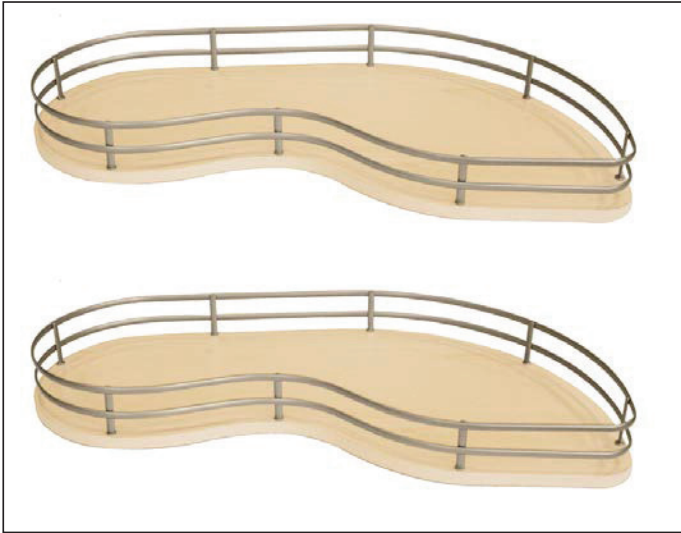
Mechanism kit contents: mechanism with height adjustable shaft; brackets and extension pipe; assembly instruction.

The picture shows left hand version.

Technical information

The drawing shows right hand version





2 pull-out pivoting shelves with non slip bottom. Handed (L or R).

Part#	Version	Min. opening	Depth	Width	Height
QFLY40DXM20M	Right	13-5/8"	16-1/32"	29"	3-3/8"
QFLY40SXM20M	Left	13-5/8"	16-1/32"	29"	3-3/8"
QFLY45DXM20M	Right	16"	17-3/8"	32-3/16"	3-3/8"
QFLY45SXM20M	Left	16"	17-3/8"	32-3/16"	3-3/8"
QFLY60DXM20M	Right	21"	18-3/4"	38-7/16"	3-3/8"
QFLY60SXM20M	Left	21"	18-3/4"	38-7/16"	3-3/8"

Available in:

C - Chrome wire/
White melamine bottom

VCH - Champagne wire/
American maple
melamine bottom

GC - Chrome wire/
Gray melamine bottom



Corner mechanism suitable for 13-5/8" - 16" - 21" minimum door opening. Height adjustable from 26" to 32". Non reversible. Extension kit included.

Soft close part #	Version	Min. opening	Height
QFLYASTM2DX	Right	13-5/8"	26" - 32"
QFLYASTM2SX	Left	13-5/8"	26" - 32"
QFLYASTM2DX	Right	16"	26" - 32"
QFLYASTM2SX	Left	16"	26" - 32"
QFLYASTM602DX	Right	21"	26" - 32"
QFLYASTM602SX	Left	21"	26" - 32"

Available in:

VCH - Champagne finish

VG - Gray finish